

JUNCTION BOX

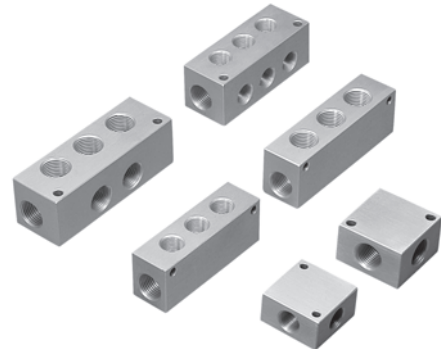
Series WJ

Cat No WJ - 01 - 02

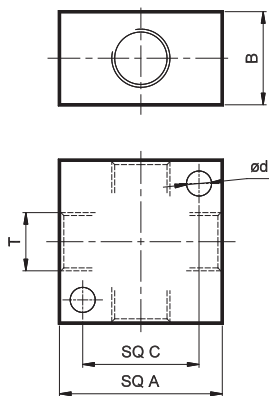
JUNCTION BOX - M5, 1/8, 1/4, 3/8, 1/2

Features

- ❑ Wide range of models available
- ❑ Aluminium anodized body
- ❑ Mounting holes provided

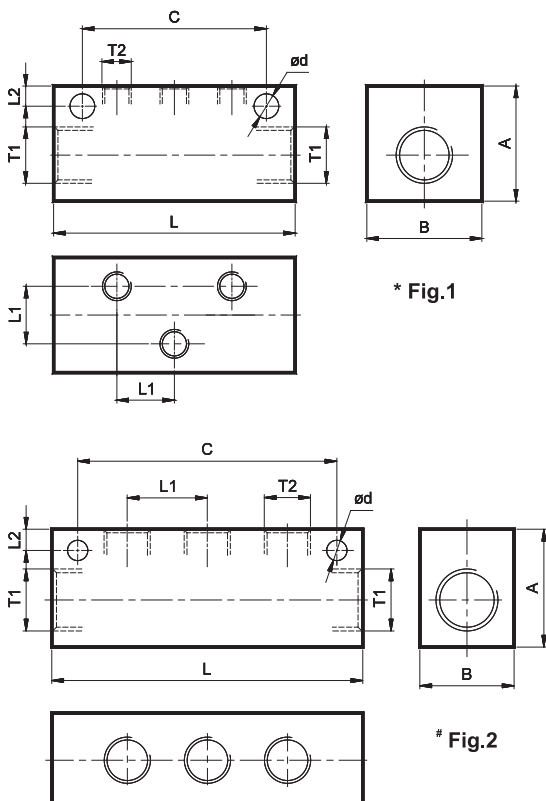


Type WJ01



T	SQ A	B	SQ C	Ød	Ordering No
M5	16	10	10.5	3.4	WJ0170
G1/8	28	16	20	4.5	WJ0160
G1/4	35	20	25	5.5	WJ0161
G3/8	45	25	33	5.5	WJ0162
G1/2	50	32	38	6.6	WJ0163

Type WJ02



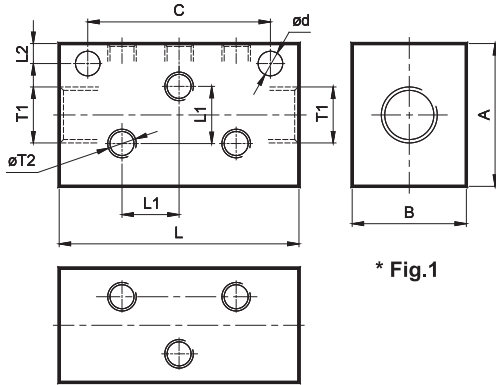
T1	T2	No. off T2 Ports	A	B	L	L1	L2	C	Ød	Ordering No
G1/8	* M5 x 0.8	3	20	20	42	10	3.5	32	4.5	WJ02036070
G1/4	# G1/8	3	25	20	66	17	4.5	55	4.5	WJ02036160
G3/8	# G1/4	3	30	25	82	22	6	70	5.5	WJ02036261
G1/2	# G3/8	3	38	30	100	26	6	85	6.6	WJ02036362
G1/2	# G1/2	3	40	32	117	32	6	100	6.6	WJ02036363

JUNCTION BOX

Series WJ

Cat No WJ - 01 - 02

Type WJ03



* Fig.1

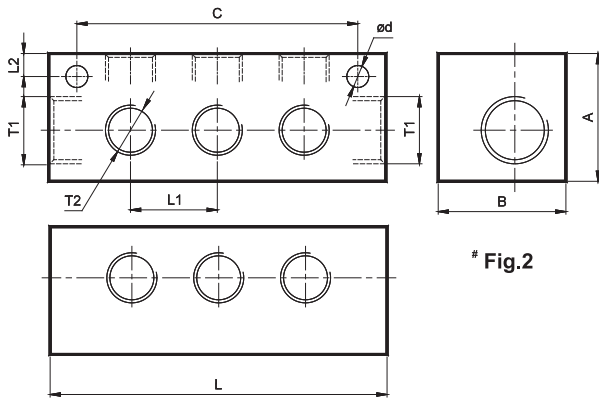
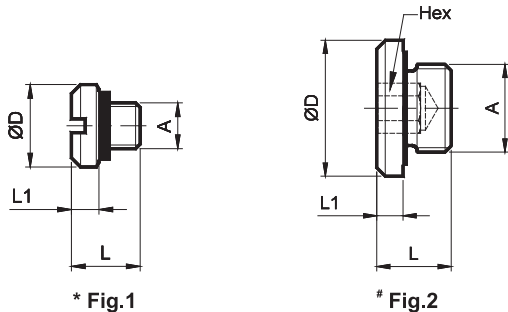


Fig.2

T1	T2	No. off T2 Ports	A	B	L	L1	L2	C	Ød	Ordering No
G1/8	* M5 x 0.8	6	25	20	42	10	3.5	32	4.5	WJ03066070
G1/4	# G1/8	6	25	25	66	17	3.5	55	4.5	WJ03066160
G3/8	# G1/4	6	30	30	82	22	6	70	5.5	WJ03066261
G1/2	# G3/8	6	38	38	100	26	6	85	6.6	WJ03066362
G1/2	# G1/2	5	40	40	117	32	6	100	6.6	WJ03056363

ACCESSORIES

Port Plugs



* Fig.1

Fig.2

A	ØD	L	L1	Hex	Ordering No
* M5	9	7.5	4	-	WAP070
# G1/8	15.5	8.5	3	5	WAP060
# G1/4	19	10.5	4	6	WAP061
# G3/8	23	11.5	4	8	WAP062
# G1/2	28	14	5	10	WAP063

How to order

While ordering Junction box, mention the ordering number given in the corresponding tables.